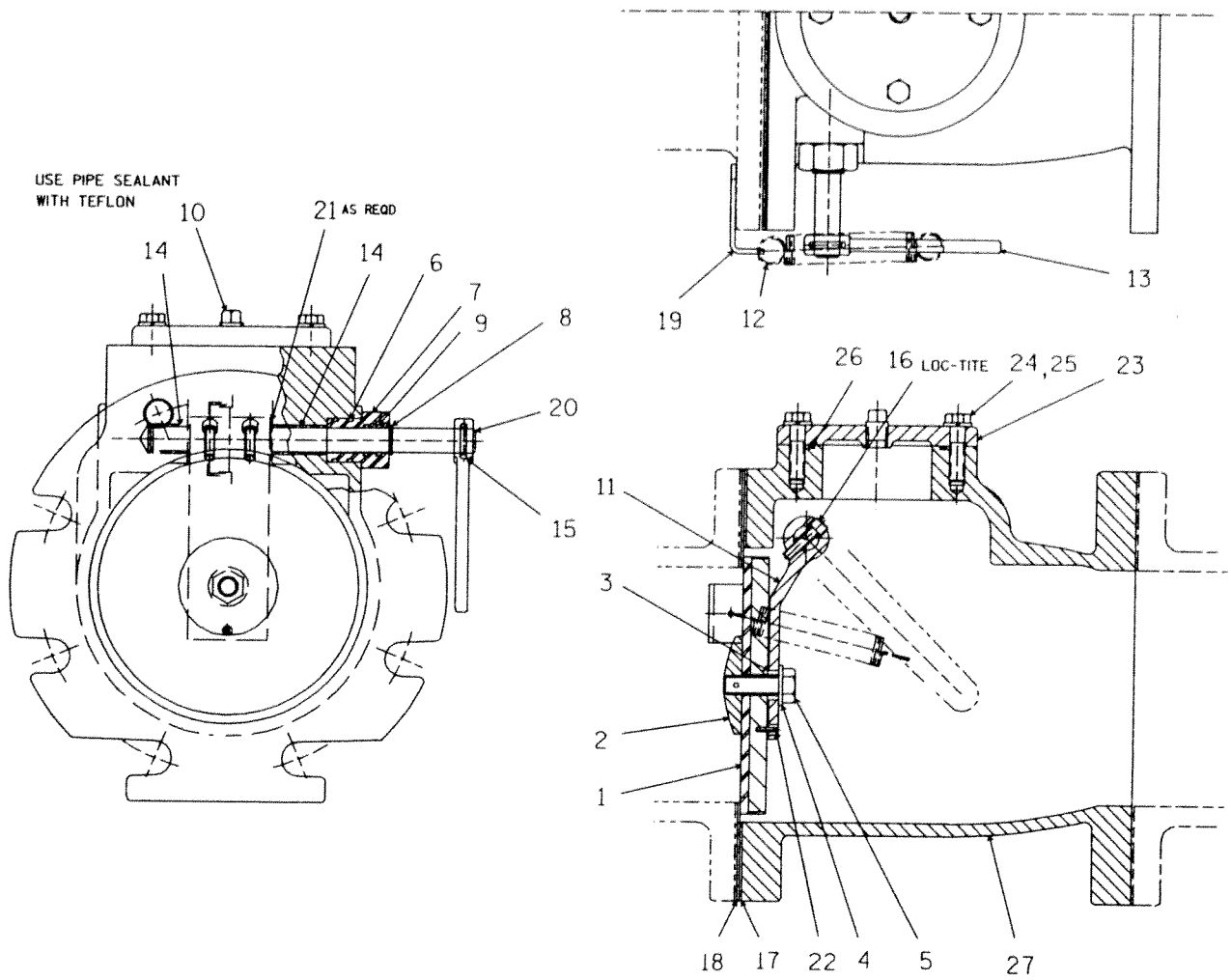


6 INCH CHECK VALVE ASSEMBLY



PARTS LIST

ITEM NO.	PART NAME	PART NUMBER	MAT'L CODE	QTY	ITEM NO.	PART NAME	PART NUMBER	MAT'L CODE	QTY
6 IN CHK VLV ASSY-LH		46421-041	---	1	15	-ROLL PIN	S984	---	1
6 IN CHK VLV ASSY-RH		46421-042	---	1	16	-SOC HD CAPSCREW	BD0404	17000	2
1	-MOLDED CHK VLV	46411-098	24010	1	17	-CHECK VLV GASKET	25113-097	---	1
2	-VALVE WEIGHT	11588	10010	1	18	-CHECK VALVE SEAT	31265-042	17050	1
3	-BUSHING	11573	15030	1	19	-SPRING BRACKET	34133-019	13130	1
4	-FLAT WASHER	KE08	17000	1	20	-SHAFT	31671-002	17010	1
5	-NYLOCK CAPSCRW	BT0806	15991	1	21	-SHIM	513A-3	17090	1
6	-O-RING	25152-119	---	2	22	-ROLL PIN	21154-666	---	1
7	-SHAFT NUT	31871-064	14100	1	23	-VALVE INSPECTION COVER	38346-614	10010	1
8	-SNAP RING	S668	---	1	24	-HEX HD CAPSCREW	B0606	15991	4
9	-O-RING	25152-114	---	2	25	-LOCK WASHER	J06	15991	4
10	-PIPE PLUG	P04	15079	1	26	-O-RING	25152-152	---	1
11	-CHECK VALVE ARM	38122-002	17070	1	27	-VALVE BODY-LH	38341-408	10010	1
12	-CHECK VLV SPRING	24641-012	---	1		-VALVE BODY-RH	38341-409	10010	1
13	-CHECK VLV HANDLE	38582-018	11060	1					
14	-BUSHING	23161-106	---	2					