



Pressure Booster

Success Stories

GORMAN-RUPP UTILITY WATER SYSTEMS

All wastewater treatment plants have a utility water system that distributes treated effluent water throughout the plant for a variety of uses. These systems reduce operating costs by reducing the demand for fresh potable water at the plant.

The utility water system provides water for a number of uses throughout the plant that do not require potable water. **These include water for:**

- Spray water for headwork's screens
- Foam control spray water
- Yard hydrants
- Chlorination system makeup water
- Belt filter press wash water
- Polymer dilution water
- Vehicle wash down
- Irrigation water
- Pump seals
- Wastewater reuse

The utility water pumps draw their water from a treated plant effluent basin downstream of the chlorine or UV disinfection system. The pumps deliver the water into a pressurized piping system that distributes the water throughout the plant to maintain a constant pressure over a wide range of flows.

Traditionally, utility water systems are installed below ground with a flooded suction. To reduce installation costs and make the utility water system accessible for maintenance, many municipal wastewater treatment plants install Gorman-Rupp utility water systems above ground using self-priming pumps.



Super U Series® Pumps

Gorman-Rupp utility water systems are supplied as a complete package including the pumps, motors, discharge header piping and control panel. They are fully integrated factory-built on a common base for easy installation. Systems are provided with hydropneumatic tanks or variable frequency drives to prevent short cycling of the motors and maintain a constant pressure in the distribution system.

The control panel is complete with circuit breakers, starters, alternating relays, indicating lights, discharge pressure transducer, and alarms.



80 Series® Pumps



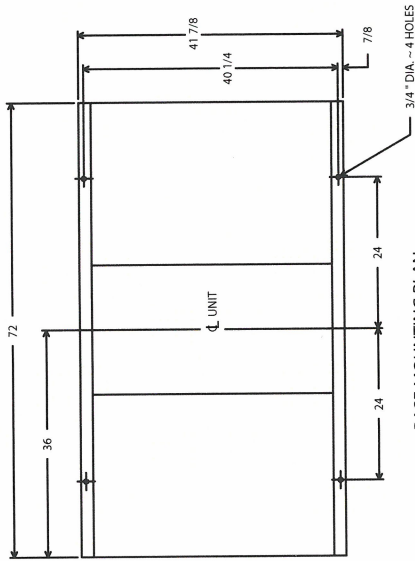
Application courtesy of:
Michael J. Gillespie, P.E.
ENVIREP, INC
717-791-7884



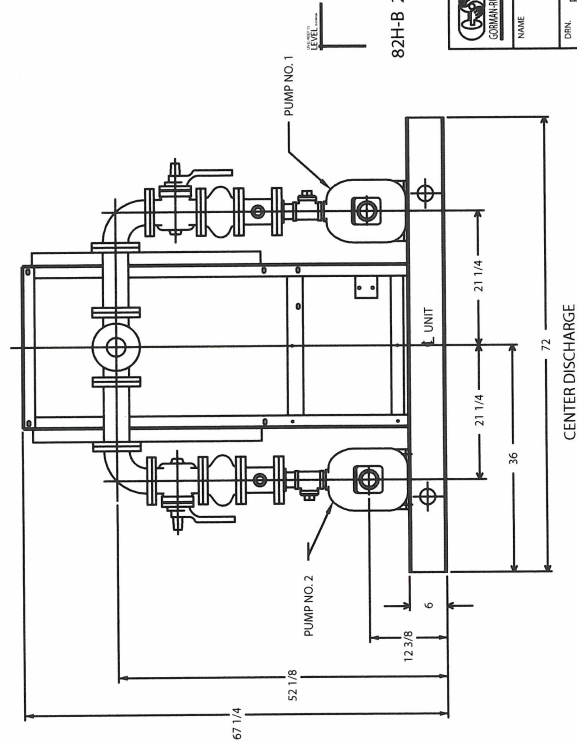
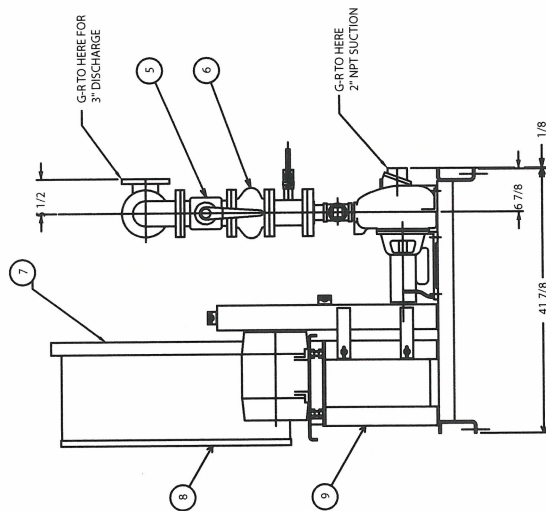
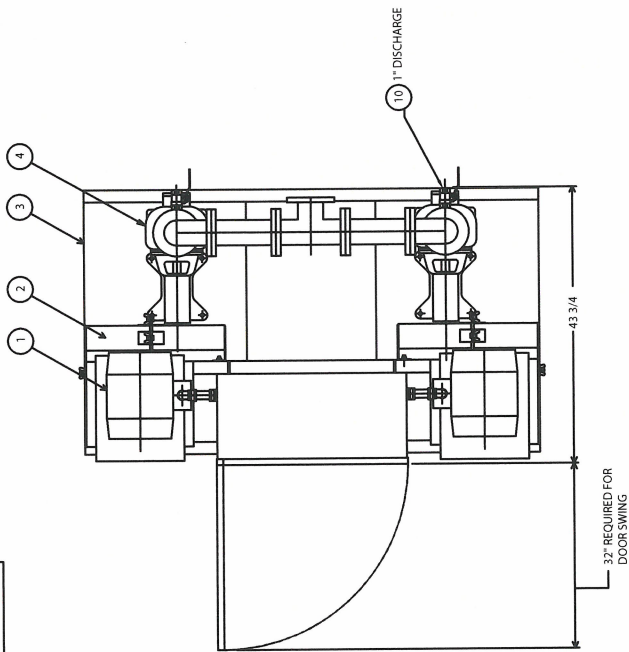
3705 TRINDLE ROAD
 CAMP HILL, PA 17011
 (717) 761-7884
 (800) 733-7884
 www.envirep.com

REV	DATE	BY	CHK

ITEM	DESCRIPTION	MAT'L & SIZE
1	MOTOR	CAST IRON
2	BELT GUARD ASSY	STEEL
3	STATION BASE ASSY	STEEL
4	PUMP	CAST IRON 82H-B
5	DISCHARGE PLUG VALVE	CAST IRON 3"
6	DISCHARGE CHECK VALVE	CAST IRON 3"
7	CONTROL PANEL FRAME	STEEL 36" X 30"
8	CONTROL PANEL	STEEL
9	MOTOR BASE ASSY	STEEL
10	AIR RELEASE BALL VALVE	ST STEEL 1"



BASE MOUNTING PLAN



82H-B 2 X 3 X 3 AS SHOWN

601965.S01.DGN

THE GORMAN-RUPP CO.
 MANUFACTURED IN ST. THOMAS, ONTARIO

NAME: BASE MOUNTED DUPLEX PUMP UNIT LESS ENCLOSURE

DRN: PKW CHK: BM RFP: BM DATE: 06/06

D 60-1969 SERIAL NO.

