


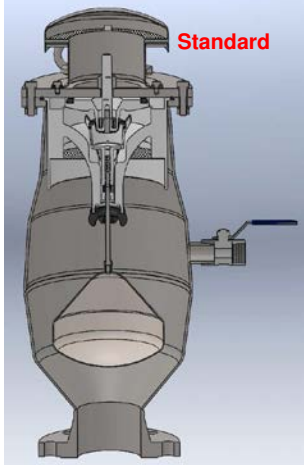
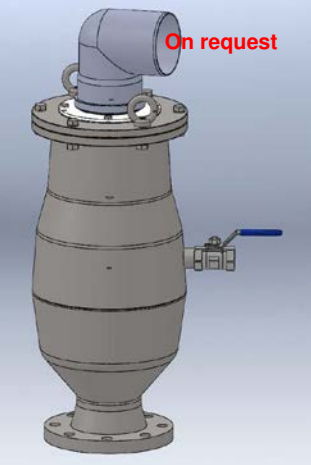
Automatic Air and Vacuum Valve for Waste Water



Model 988-00, F4”r

Automatic air release and vacuum valve,
Infinitely variable surge protection, stainless steel 316Ti



Type	Flange Size	Maximum Pressure PSI/Bar	Body Material	Overall Width Inch/mm	Overall Height Inch/mm	Weight lbs/Kg
Flange	4” 150 lbs	250 PSI 17.2 Bar	ss 316 Ti	10.9” 277 mm	28.7” 729 mm	64 lbs 29 kg
Flange	6” 150 lbs	250 PSI 17.2 Bar	ss 316 Ti	10.9” 277 mm	28.7” 729 mm	68 lbs 31 kg
Flange	8” 150 lbs	250 PSI 17.2 Bar	ss 316 Ti	10.9” 277 mm	28.7” 729 mm	77 lbs 35 kg

Features:

Automatic and infinitely variable air valve for waste water applications.

Recommended for outdoor application.

Maximum Operating Pressure: 250 psi (17.2 bar).

Operating Range: 0 – 250 psi (0 - 17.2 bar).

Patented valve seat does not contact the medium (air cushion).

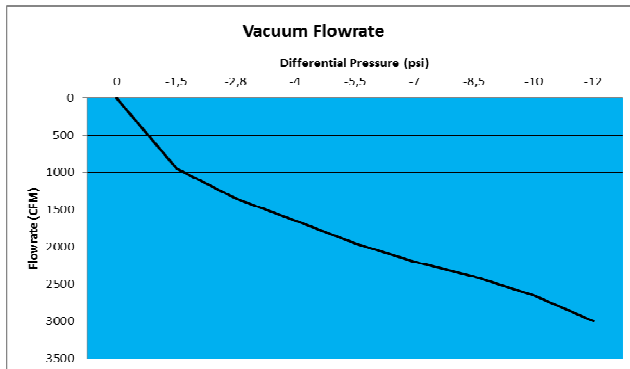
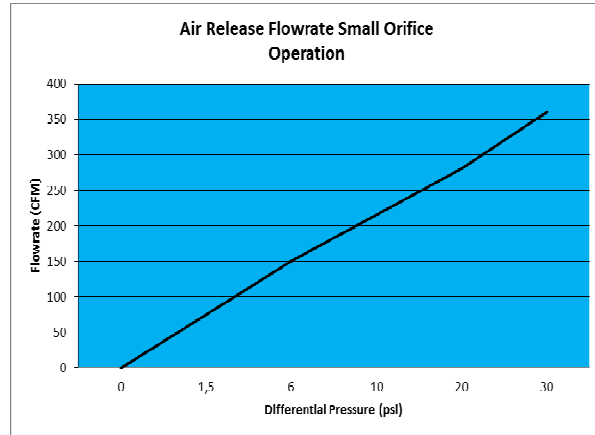
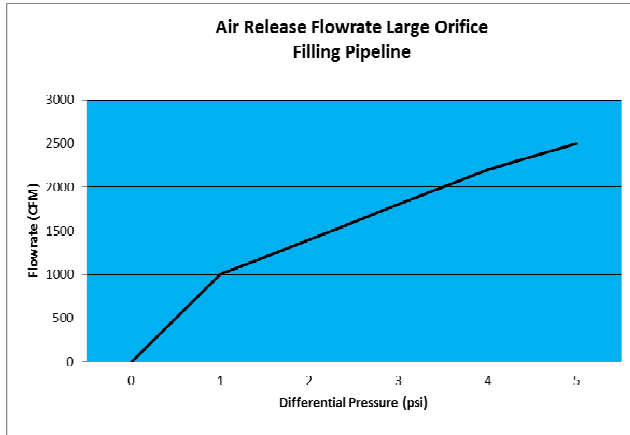
Infinitely variable surge protection

In general understanding the surge protection of an ARV is a measure taken to protect the pipeline system. Filling of the pipeline should be within international standards to prevent water hammer (5ft/s) or (0.25m/s) and correct opening and closing of valves is fundamental. The design of the H-TEC F4”r ARV allows for large volumes of air (in/out). The unique function for infinite air release/intake, due to the automatic movements of the diaphragm in operation modus, (e.g. fluid level rises, diameter of orifice is reducing infinitely variable) soft sealing and slowing the water column preventing water hammer.

Traditional ARV’s operate with two functions: open or closed. The rubber diaphragm of the H-TEC model 988 F4”r is infinitely variable operating. In case of increased velocity in the valve the float will lift slow and throttle down the air flow. This function slows the water column, water hammer from this ARV will not occur. The H-TEC 988 F4”r ARV has an integrated pressure spring on the vertical shaft attached to the float. This mechanical feature protects from vibrations, smooth function, prevents amplified movements. No additional surge prevention unit necessary.

1061 Triad Court, West Oak Business Park II, Suite 5 - Marietta, GA 30062 - Phone: +1 770-818-0670 – www.h-tec.us

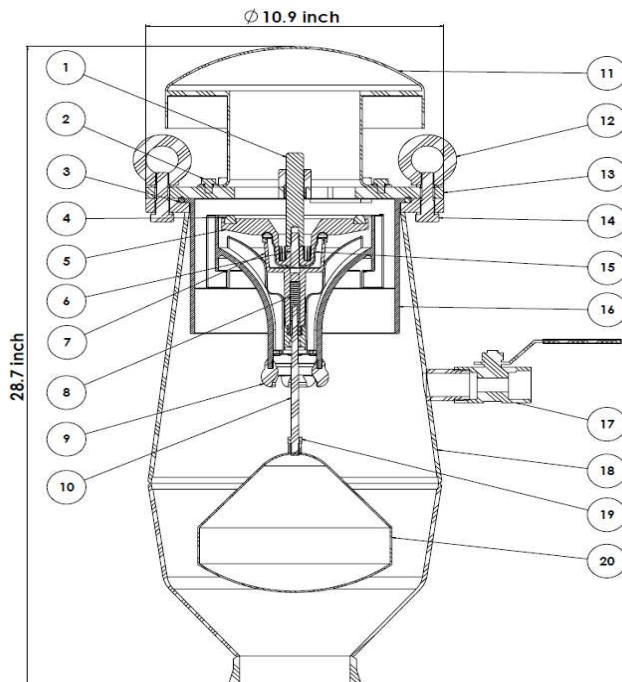
Automatic Air and Vacuum Valve for Waste Water



Capacities:

Vacuum flow rate at negative pressure of 12 psi (0.8 bar): 3,000 cfm (5,100 m³/h)

Parts list:



No.	Component	Material
1	Valve spindle	Polyoxymethylen POM
2	Hexagon bolt	Stainless steel
3	O-ring	Buna NBR
4	Gasket	Buna NBR
5	Air valve part	Polyoxymethylen POM
6	Diaphragm bolt	Stainless Steel
7	Diaphragm holder	Polyoxymethylen POM
8	Spring	Stainless Steel
9	Damper Ring	Buna NBR
10	Float spindle	Stainless Steel 316Ti
11	Outlet cap	Stainless Steel 316Ti
12	Ring nut	Stainless Steel
13	Clamping flange	Stainless Steel 316Ti
14	Hexagon bolt	Stainless Steel
15	Diaphragm	Buna HNBR
16	Debris shield	Polypropylen
17	Ball valve 1"	Stainless Steel
18	Body	Stainless Steel 316Ti
19	Hexagon nut	Stainless Steel
20	Float	Stainless Steel 316 Ti