

ROEDRUM™

Drum Spun Thickening

Superior Performance

Reliable Proven Design

Lowest Maintenance vs. Competitors



Represented by



(717) 761-7884
sales@envirep.com
www.envirep.com



**Charter Machine
Company**

Superior Performance • Reliable Proven Design
• Lowest Maintenance vs Competitors

Drum Spun Thickening

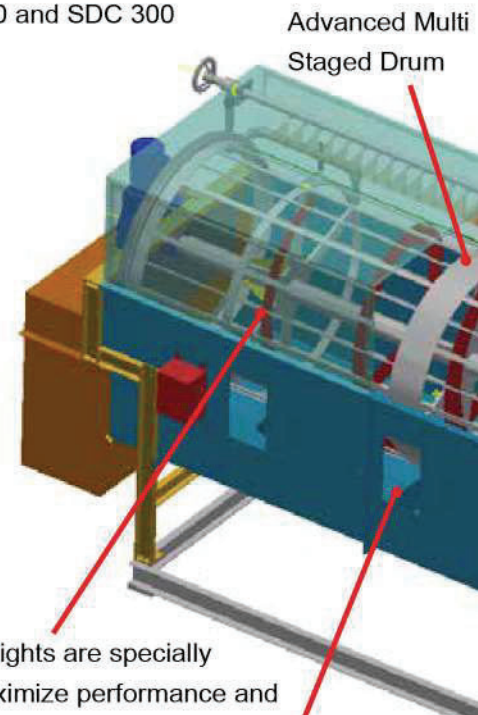
ROEDRUM

The ROEDRUM is a Sieve Drum Concentrator (SDC) for extremely efficient volume reduction. Sludge thickened by the ROEDRUM can practically double digestive volume. The uncanny ability of Charter Machine's Sieve Drum Concentrator to thicken sludge will profoundly reduce hauling and disposal costs. The ROEDRUM's unique design has given it several advantages over its counterpart, the ROEBELT. The small size, compared to the ROEBELT helps designers and engineers save expensive real estate. Due to the total containment of sludge and filtrate, a no-spill operation can be guaranteed and H2S control is easily achieved. Continuous back-washing of the drum filter cloth and gentle tumbling of the sludge provides the highest capture rates possible (99%+). The ROEDRUM is operated with a fraction of a horsepower, and its polyester filter cloth has nearly an unlimited lifetime. Because Charter Machine has been fabricating these gravity dewatering devices since 1970, we can proudly state that we have written the book on Sieve Drum Concentrators.

The ROEDRUM is available in five different models: SDC45, SDC 90, SDC 125, SDC 180 and SDC 300

Charter can configure the ROEDRUM to suit your needs.

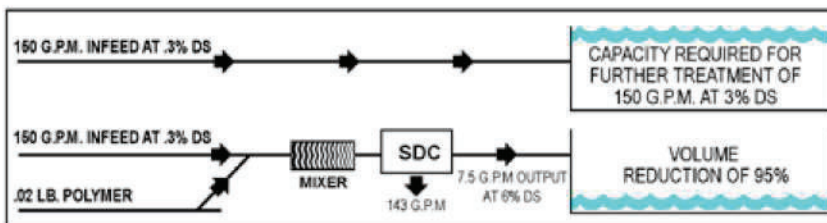
- Cost Effective - Minimal installation expense
- Layout Design - All-In-One "plug and play" system
- Adaptable to any dewatering system or machinery
- Customized to any facilities needs
- Available in all sizes and models
- Total System Responsibility



Tapered spiral flights are specially designed to maximize performance and throughput capacity of dewatering drum.

Sliding access doors for easy viewing during operation.

SS Floc Tank for maximum detention time with hinged access covers.



Model Designation	SDC 45	SDC 90	SDC 125	SDC 180	SDC 300
Throughput (gpm Max may vary)	60	120	160	240	360
Length	11' 4"	16' 4"	16' 4"	18' 2"	13' 6"
Width	4' 6"	4' 6"	5' 7"	6' 10"	6' 2"
Height	6' 7"	7' 0"	7' 10"	7' 10"	8' 10"
Sieve Drum Drive Total hp	3.00	3.50	3.5	4.00	4
If Booster Pump is required	10.00	10.00	10.00	10.00	10.00

Superior Performance • Reliable Proven Design

- Lowest Maintenance vs Competitors



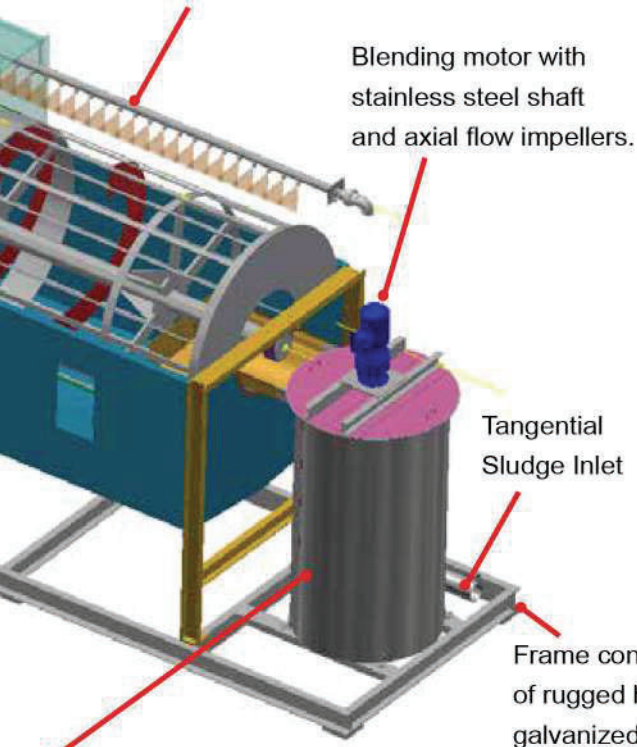
Advanced Drum Design

- Eliminates high maintenance drum support bearings
- Direct driven eliminating easily wearing chain and sprocket design
- Provides the most gentle tumbling of sludge

Multi Zoned Drum

- Initial dewatering area
- Main dewatering area
- Each zone can be wrapped with different mesh sizes for maximum thickening
- Available with polyester filter screens or stainless steel

SS Drum Spray Shower with internal brush system and handwheel for self cleaning. Provides optimal cleaning of the drum screen without rewetting of the sludge.



Blending motor with stainless steel shaft and axial flow impellers.

Tangential Sludge Inlet

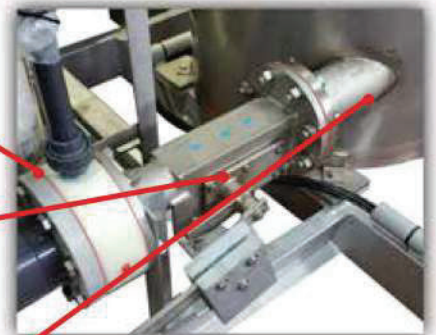
Frame constructed of rugged hot dipped galvanized channel.

Charter Exclusive Polymer Injection Ring injects polymer into sludge stream more effectively & efficiently from competition

Venturi Mixer is designed to thoroughly condition the sludge with polymer to result in the highest degree of flocculation

Tangential Tank Design Inlet to provide minimal turbulence of floc entering the tank

Venturi Mixer



Stainless Steel Conditioning Floc Tank

- Provides maximum detention time
- Ensures proper conditioning of sludge and polymer without shearing
- Axial flow impeller blades provide maximum blending

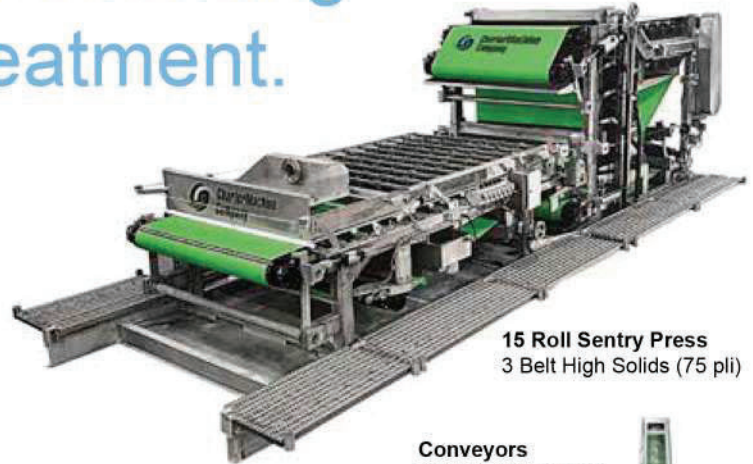


Type of Sludge	Approx Feed Sludge (%D.S.)	Approx Thickened Sludge (%D.S.)	Volume Reduction (%)	Capture Ratio (%)
Aerobically Digested	1.5-3.0	4.5-6.5	70	98-99+
Anaerobically Digested	2.0-5.0	4.5-10.5	55	98-99+
Primary + WAS	1.5-5.0	4.5-8.0	70	98-99+
Primary	2.5-7.5	7.5-12.5	70	98-99+
WAS	0.5-1.5	4.5-6.0	90	98-99+
Coal Refuse	5.0-10.0	20.0-45.0	80	97-99+

Seamless Solutions for Biosolids Handling and Treatment.



Sentry Press
The Next Generation of 3 Belt Press



15 Roll Sentry Press
3 Belt High Solids (75 pli)

Rodrum RF90
Drum Spun Thickening



Gravity Belt Thickener
Highly Efficient And Effective



Dewatering Trailers
The All In One Solution



Conveyors
To Suit Your Needs



TP7.4 Tower Press
Smaller Capacity, Big Capabilities



L-2 Polymer
Simple Cost Effective



Roedos VI
Customized Dry Polymer System



Roemix LFS 1200
Lime Storage Feeder



Roemix RM 240
Paddle Mixer Unit For Even Drier Solids

Whether its dewatering, thickening, polymer addition, conveyance or lime stabilization, Charter Machine provides customized and integrated biosolids solutions.

With our in-house staff of design engineers, we have complete control over the design, fabrication and start-up of biosolids systems perfectly suited to your operation. As a result, we can provide seamless total system responsibility -- from sludge testing, to design assistance to equipment start-up and training.

Occasionally our equipment will need servicing. At Charter Machine Company we maintain a complete inventory of replacement parts ready for immediate shipment. Assistance is a phone call away with help in troubleshooting and problem solving. Technicians are available for on-site visits. Charter also offers parts and full rebuild capabilities for all existing Roediger presses and other manufacturers.

We strive very hard to meet all your biosolids processing needs and would welcome the opportunity to be of service.

Over six decades of precision machine manufacturing.



55 Wester Avenue, Metuchen, New Jersey 08840
732-494-5350 • FAX 732-494-4596 • www.chartermachine.com